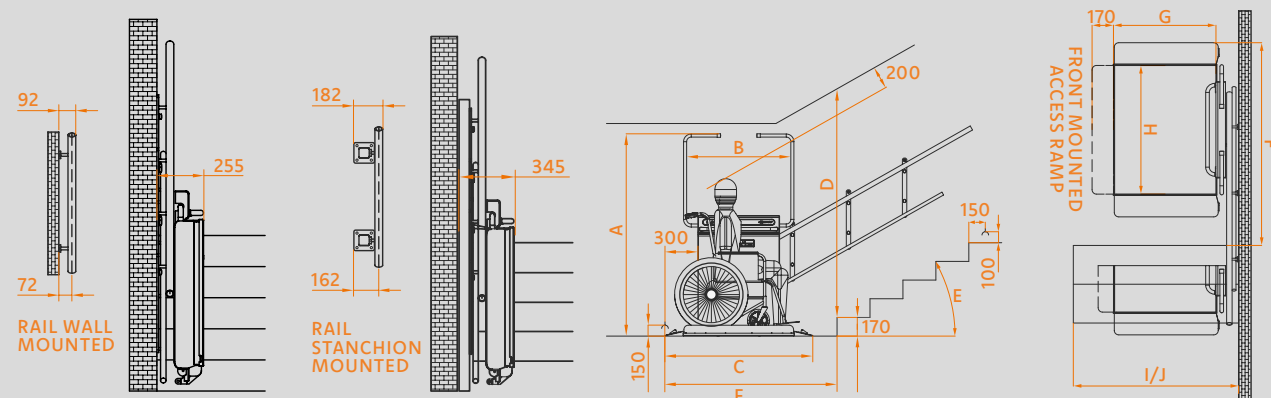


REQUIRED SPACE PLATFORM STAIRLIFT PLG7

Platform length H	800	900	1000	1210	1250	1300	800	900	1000	1210	1250	1300
E	D	D	D	D	D	D	F	F	F	F	F	F
15°	1791	1813	1834	1863	1868	1874	1680	1780	1880	2090	2130	2180
20°	1859	1888	1917	1955	1962	1971	1522	1622	1722	1932	1972	2022
25°	1933	1970	2007	2056	2066	2077	1462	1526	1626	1836	1876	1926
30°	2015	2062	2108	2168	2180	2194	1361	1461	1561	1771	1811	1861
35°	2110	2166	2222	2295	2309	2327	1314	1414	1514	1724	1764	1814
40°	2220	2287	2354	2442	2459	2480	1278	1378	1478	1688	1728	1778
45°	2350	2430	2510	2615	2635	2660	1249	1349	1449	1659	1699	1749
47°	2410	2495	2581	2694	2715	2742	1238	1338	1438	1648	1688	1738

H x G	Wall mounted		Stanchion mounted		Total length C	Height barrier arm (open) A	Barrier arm distance B
	I	J	I	J			
800 x 650	850	1025	940	1115	1145	1696	830
800 x 710	910	1085	1000	1175	1145	1742	830
800 x 760	960	1135	1050	1225	1145	1742	830
800 x 800	1000	1175	1090	1265	1145	1842	830
900 x 760	960	1135	1050	1225	1245	1802	830
900 x 800	1000	1175	1090	1265	1245	1842	830
1000 x 710	910	1085	1000	1175	1345	1742	950
1000 x 760	960	1135	1050	1225	1345	1742	950
1000 x 800	1000	1175	1090	1265	1345	1842	950
1000 x 900	1100	1275	1190	1365	1345	1842	950
1210 x 830	1030	1205	1120	1295	1555	1842	1160
1250 x 800	1000	1175	1090	1265	1595	1842	1200
1300 x 800	1000	1175	1090	1265	1645	1842	1200



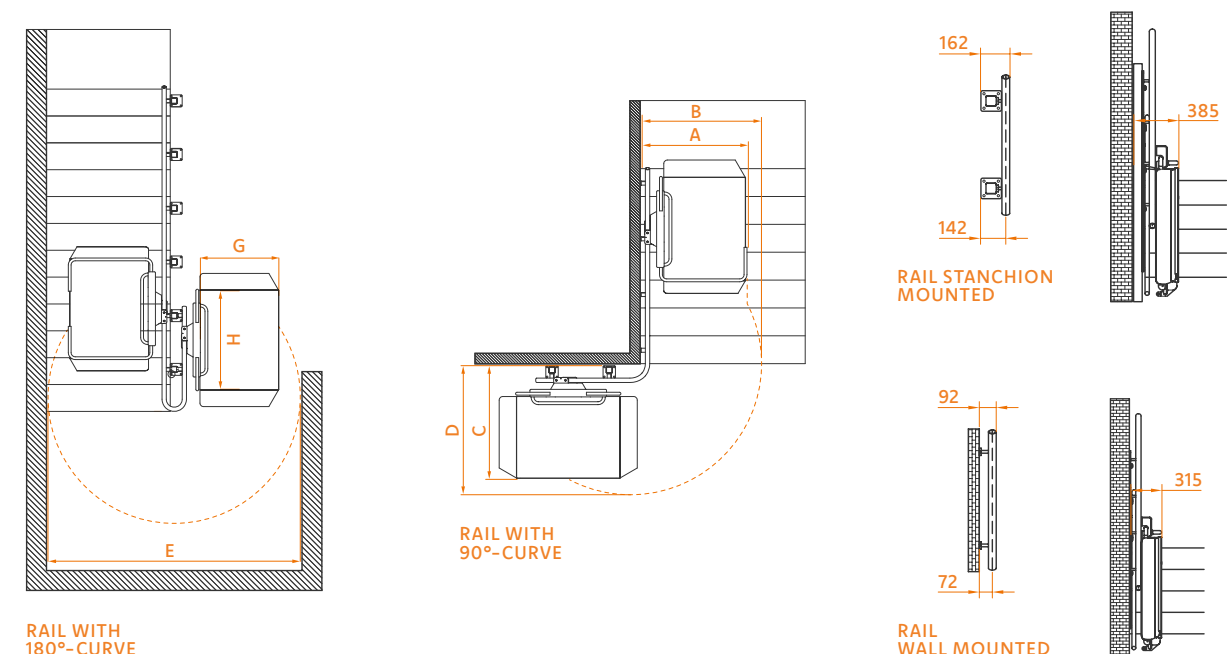
F = space in front of first step (depends on 1st step height)
 E = Slope of stairs
 I = Minimum stair width

J = Minimum stair width for front access ramp
 D = required lintel height
 The minimum stair width (I/J) takes into account 30 mm clearance.

REQUIRED SPACE PLATFORM STAIRLIFT PLK8

Platform H x G	Wall mounted		Stanchion mounted		
	A	B	C	D	E
800x650	890	995	960	1065	2010
800x710	950	1050	1020	1120	2120
800x760	1000	1095	1070	1165	2210
800x800	1040	1130	1110	1200	2285
900x760	1000	1115	1070	1185	2250
900x800	1040	1150	1110	1220	2325
1000x710	950	1100	1020	1170	2210
1000x760	1000	1140	1070	1210	2295
1000x800	1040	1175	1110	1245	2370
1000x900	1140	1265	1210	1335	2550
1210x830	1070	1255	1140	1325	2520
1250x800	1040	1240	1110	1310	2490
1300x800	1040	1255	1110	1325	2520

All dimensions in mm.
 All values given relate to a bending radius of R = 150mm and a 47° steep curve and 60x60mm special stanchions.



A = minimum width for wall mounting
 B = platform turning clearance for wall mounting
 C = minimum width for stanchion mounting
 D = platform turning clearance for stanchion mounting
 E = minimum swivel range 180°
 The minimum stair width (A/B) allows a 10mm clearance.